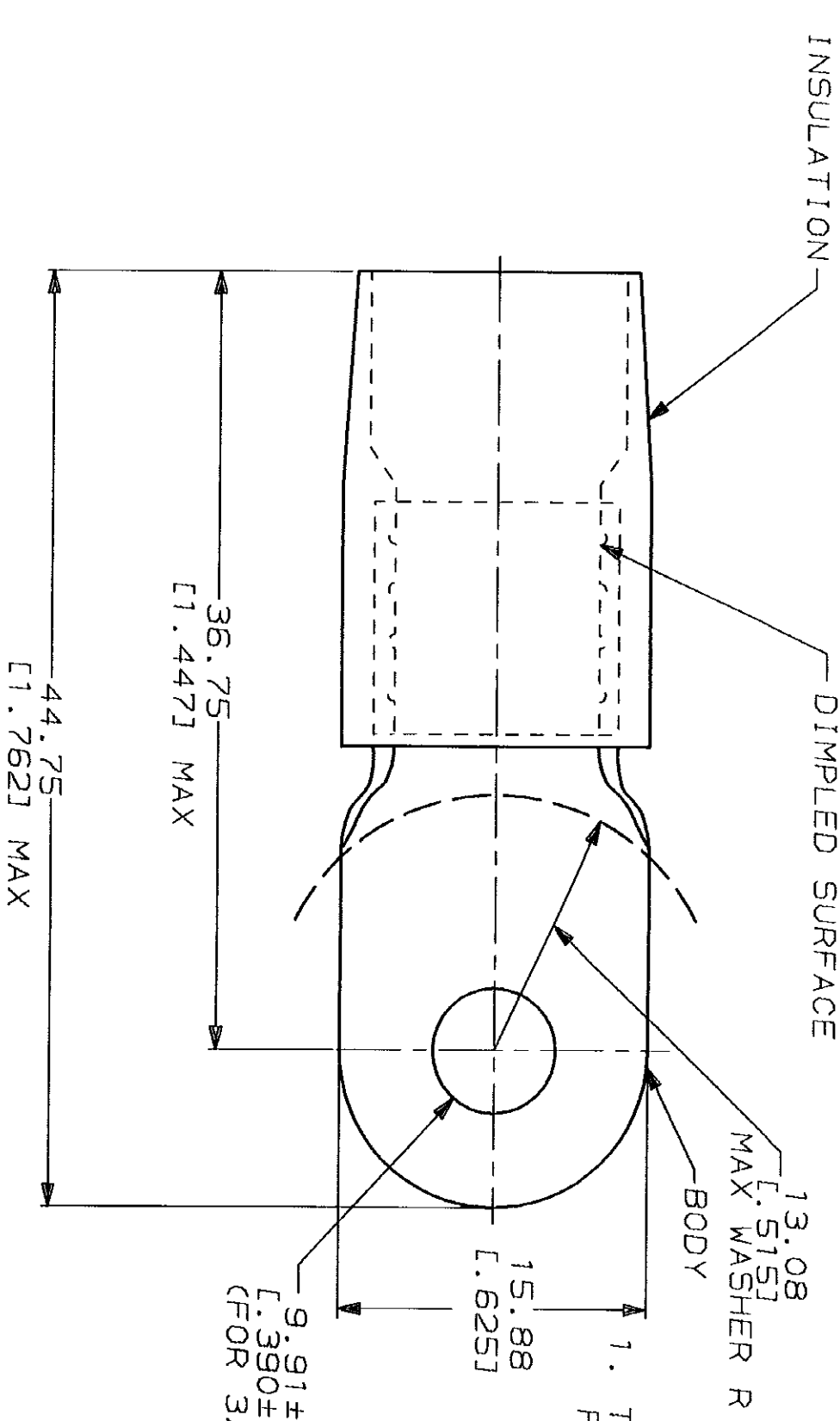


THIS DRAWING IS UNPUBLISHED. RELEASED FOR PUBLICATION BY AMP INCORPORATED. ALL INTERNATIONAL RIGHTS RESERVED. © COPYRIGHT 1983

LOC	DIST	P	ZONE	LTR	DESCRIPTION	DATE	APPD
G	14	F		G	EC 0720-0279-93	6-18-93	SSS BB

AMP
WIRE RANGE
6 AWG
STRANDED

METRIOS
DIMENSIONS LISTED IN MM [INCHES]



AMP INCORPORATED
CUSTOMER SERVICE SYSTEMS

FOR ADDITIONAL PRODUCT INFORMATION OR COPIES OF DRAWINGS AND TECHNICAL DOCUMENTS
1-800-522-6752

FOR APPLICATION TOOLING INFORMATION CENTER
1-800-722-1111

FOR ORDER ENTRY
1-800-526-5142

MAX RECOMMENDED OPERATING TEMPERATURE: 105°C		MILITARY P/N AND CLASS MS25036-122 CLASS 2	
VOLTAGE RATING: -		DO NOT SCALE PRINT. UNLESS SPECIFIED. DIMENSIONS IN INCHES. TOLERANCES ON: 2 PLG DEC ± 0.20 (0.008) 3 PLG DEC ± . ANGLES	
CIRCULAR MIL AREA: 10.5-16.8mm² (20, 800-33, 100) STRANDED		MATERIAL COPPER PER ASTM B-152 NYLON (MIL-M-20693) TYPE 1 COLOR: BLUE	
FINISH TIN PLATE PER MIL-T-10727		DR 6-18-93 S.S. GOLDEN CHK 6-18-93 R. HERSEY APPD 6-18-93 B. BARE	
APPLICATION SPEC		NAME AMP AMP Incorporated Harrisburg, PA 17105-3608	
WEIGHT		PACKAGE TYPE LOOSE PC	
SCALE B		PART NO 324049	
CAGE CODE 00779		DRAWING NO G=324049	
SHEET NTS		1 OF 1	

AMP 1470-15 REV 3-92 18 JUN 1993 14:25:39 AMP1122 <UJ128A>DEPT1132>AMP1122>U.CUSTOMERINYL

THIS DRAWING IS A CONTROLLED DOCUMENT FOR AMP INCORPORATED. IT IS SUBJECT TO CHANGE AND THE CONTROLLING ENGINEERING ORGANIZATION SHOULD BE CONTACTED FOR THE LATEST REVISION.

CUSTOMER DRAWING